

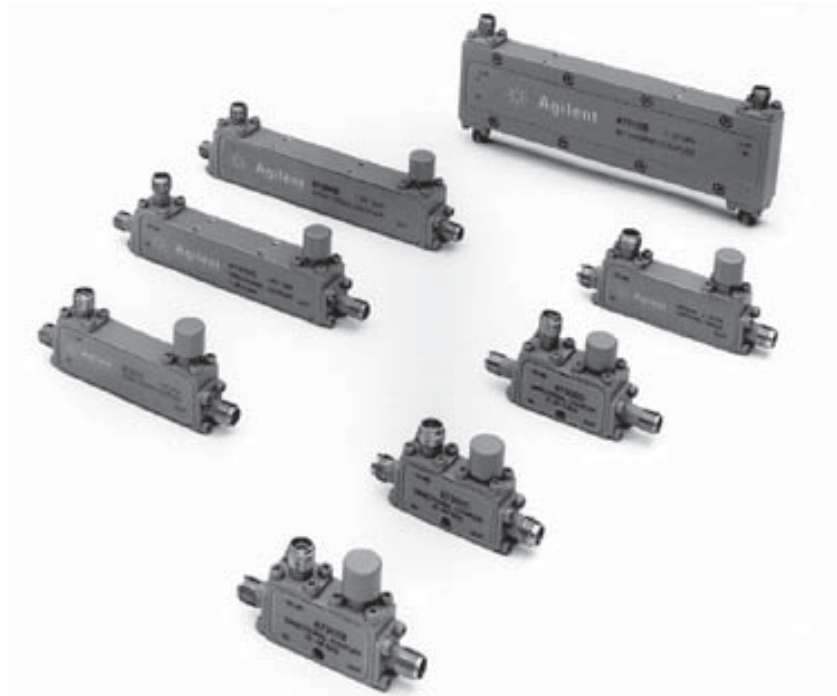
Agilent 87300B,C,D and 87301B,C,D,E Directional Couplers 87310B Hybrid Coupler

Product Overview

Features and Description

- Compact size
- Broadband up to 50 GHz
- Excellent performance

The Agilent Technologies 87300 series of compact, broadband directional/sampling and hybrid couplers are well suited for signal monitoring or, when combined with a coaxial detector, signal leveling. See page 2 for the wide range of product offerings.



Product Applications

These compact, broadband directional couplers are important components for many microwave measurement systems. Although most modern signal generators and sweepers supply signals whose power levels are stable with respect to frequency, variations in signal level are introduced due to the cable losses (which increase with frequency) and the frequency response of other components in the signal path. Inserting a directional coupler into the system with a suitable microwave detector to supply feedback to the ALC circuit of a signal generator or sweeper provides a leveled signal at a particular point in the system (Figure 1).

Agilent 8474B,C,E detectors offer excellent broad-band frequency response and low SWR for this application. Other applications include power monitoring with an 848X series power sensor connected to the sampling port. Connect the sampled signal port to a microwave counter to monitor frequency or to a signal analyzer for frequency spectrum monitoring (Figure 2).

(See Figures 1 and 2 on page 4.)

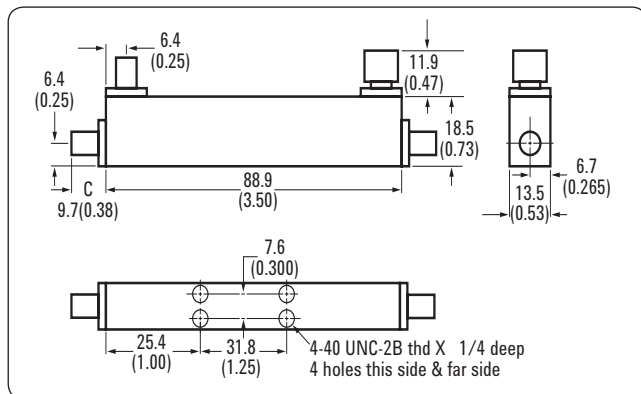


Specifications

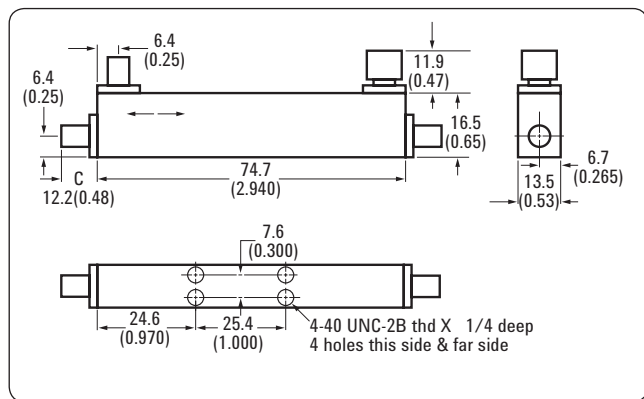
Model	87300B	87300C	87300D
Frequency range (GHz)	1 to 20 GHz	1 to 26.5 GHz	6 to 26.5 GHz
Nominal coupling and variation with respect to output (or coupling factor over insertion loss)	10 ±0.5 dB	10 ±1 dB	10 ±0.5 dB
Frequency sensitivity	±0.35 dB, 1 to 20 GHz	±0.5 dB, 1 to 26.5 GHz	±0.3 dB
Directivity	>16 dB	>14 dB, 1 to 12.4 GHz >12 dB, 12.4 to 26.5 GHz	>13 dB
Maximum SWR	1.35	1.35, 1 to 12.4 GHz 1.50, 12.4 to 26.5 GHz	1.40
Insertion loss	<1.5 dB	<1.2 dB, 1 to 12.4 GHz <1.7 dB, 12.4 to 26.5 GHz	< 1.3 dB
Typical insertion loss (dB, f = freq. in GHz)	0.6+0.04f	0.6+0.04f	.6 + 0.025f
Power rating Average Peak	20 W 3 kW	20 W 3 kW	20 W 3 kW
Connectors	SMA (f)	3.5 mm (f)	3.5 mm (f)
Weight in grams (oz)	74 (2.6)	60 (2.1)	31.2 (1.1)

Model	87301B	87301C	87301D	87301E
Frequency range (GHz)	10 to 46 GHz	10 to 50 GHz	1 to 40 GHz	2 to 50 GHz
Nominal coupling and variation with respect to output (or coupling factor over insertion loss)	10 ±0.7 dB	10 ±0.7 dB	13 ±1 dB	10 ±1 dB
Frequency sensitivity	±0.3 dB	±0.5 dB	±1.2 dB, 1 to 40 GHz	±0.6 dB, 2 to 26.5 GHz ±0.8 dB, 2 to 50 GHz
Directivity	>10 dB	>10 dB	>14 dB, 1 to 20 GHz >10 dB, 20 to 40 GHz	>13 dB, 2 to 26.5 GHz >10 dB, 26.5 to 50 GHz
Maximum SWR	1.80	1.80	1.5, 1 to 20 GHz 1.7, 20 to 40 GHz	1.5, 2 to 26.5 GHz 1.8, 26.5 to 50 GHz
Insertion loss	<1.9 dB	<1.9 dB	<1.2 dB, 1 to 20 GHz <1.9 dB, 20 to 40 GHz	<2 dB
Typical insertion loss	.8+0.022f	.8+0.022f	0.4 + 0.035f	0.55 + 0.025f
Power rating Average Peak	20 W 3 kW	20 W 3 kW	20 W 3 kW	20 W 3 kW
Connectors	2.92 mm (f)	2.4 mm (f)	2.4 mm (f) or 2.92 mm (f) for Option 292	2.4 mm (f)
Weight in grams (oz)	28.4 (1)	28.4 (1)	37 (1.3)	34 (1.2)

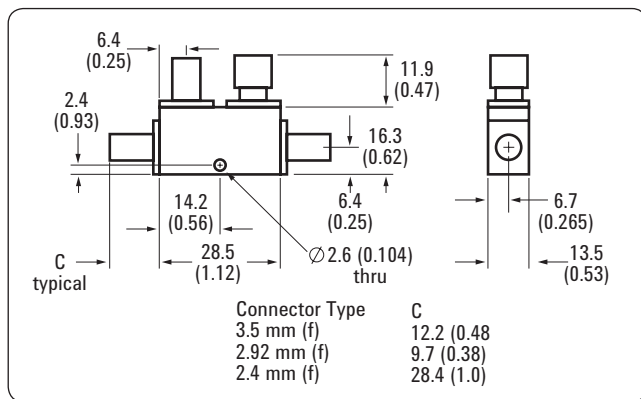
Agilent 87310B Specifications	
Frequency range	1 to 18 GHz
Coupling	3 dB
Amplitude imbalance	± 0.5 dB at each port, centered at -3 dB
Phase imbalance	± 10 Degrees
Isolation	>17 dB
Maximum SWR	1.35
Insertion loss	<2 dB
Power rating	
Average	20 W
Peak	3 kW
Connectors	SMA (f)
Weight in grams (oz)	148 (5.2)



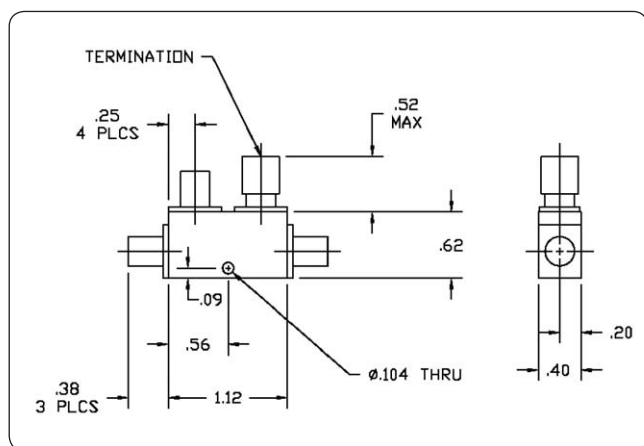
87300B



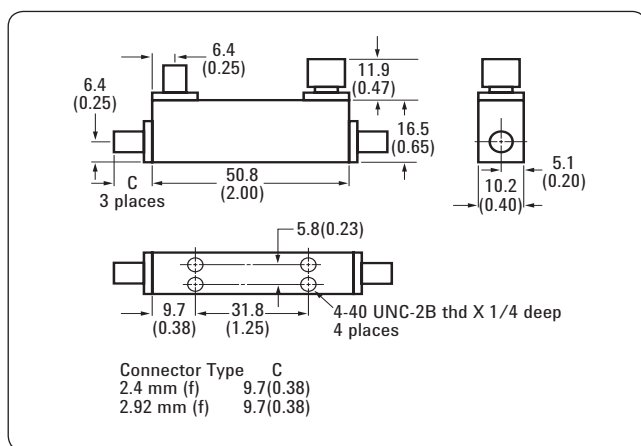
87300C



87300D

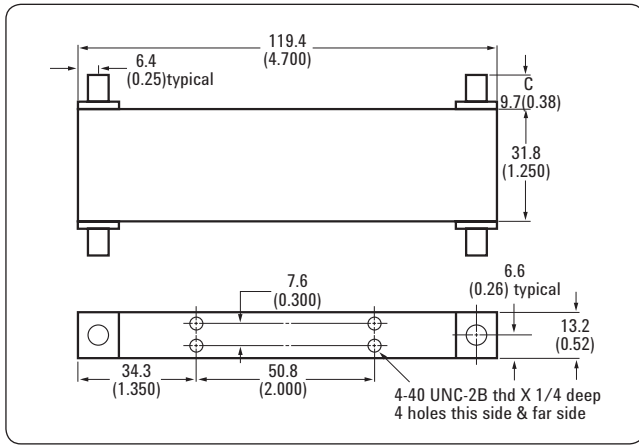


87301B, 87301C



87301D, 87301E

Dimensions are in millimeters (inches) nominal unless otherwise specified



87310B

Dimensions are in millimeters (inches) nominal unless otherwise specified

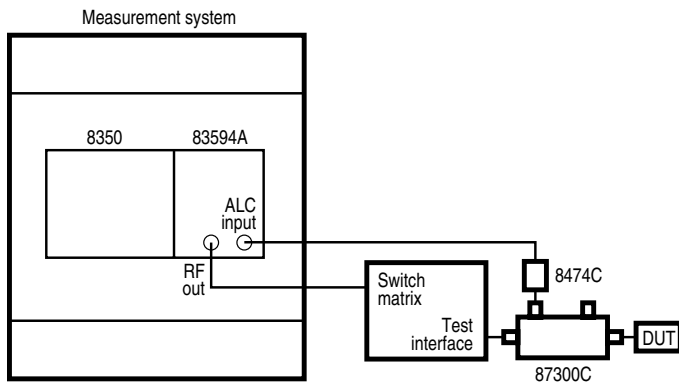


Figure 1

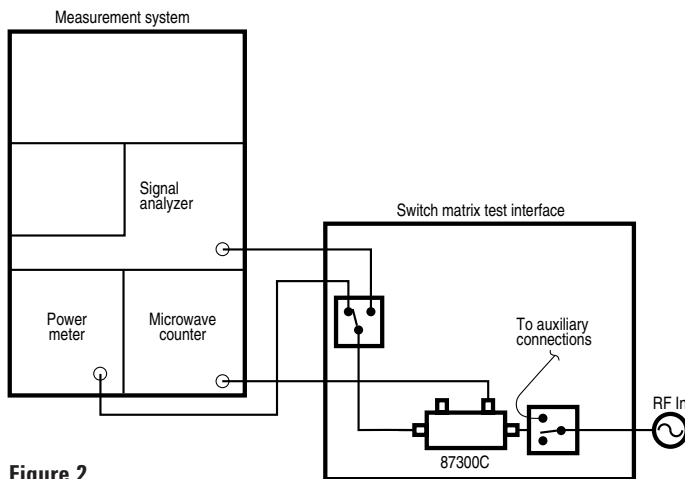


Figure 2

www.agilent.com
www.agilent.com/find/mta

For more information on Agilent Technologies' products, applications or services, please contact your local Agilent office. The complete list is available at:

www.agilent.com/find/contactus

Americas

Canada	(877) 894-4414
Latin America	305 269 7500
United States	(800) 829-4444

Asia Pacific

Australia	1 800 629 485
China	800 810 0189
Hong Kong	800 938 693
India	1 800 112 929
Japan	0120 (421) 345
Korea	080 769 0800
Malaysia	1 800 888 848
Singapore	1 800 375 8100
Taiwan	0800 047 866
Thailand	1 800 226 008

Europe & Middle East

Austria	01 36027 71571
Belgium	32 (0) 2 404 93 40
Denmark	45 70 13 15 15
Finland	358 (0) 10 855 2100
France	0825 010 700*

*0.125 €/minute

Germany	07031 464 6333
Ireland	1890 924 204
Israel	972-3-9288-504/544
Italy	39 02 92 60 8484
Netherlands	31 (0) 20 547 2111
Spain	34 (91) 631 3300
Sweden	0200-88 22 55
Switzerland	0800 80 53 53
United Kingdom	44 (0) 118 9276201

Other European Countries:

www.agilent.com/find/contactus

Revised: February 25, 2009

Product specifications and descriptions in this document subject to change without notice.

© Agilent Technologies, Inc. 1997, 2000, 2004, 2009

Printed in U.S.A. April 15, 2009
 5091-6188E

Agilent Email Updates

www.agilent.com/find/emailupdates
 Get the latest information on the products and applications you select.

Agilent Direct

www.agilent.com/find/agilentdirect
 Quickly choose and use your test equipment solutions with confidence.